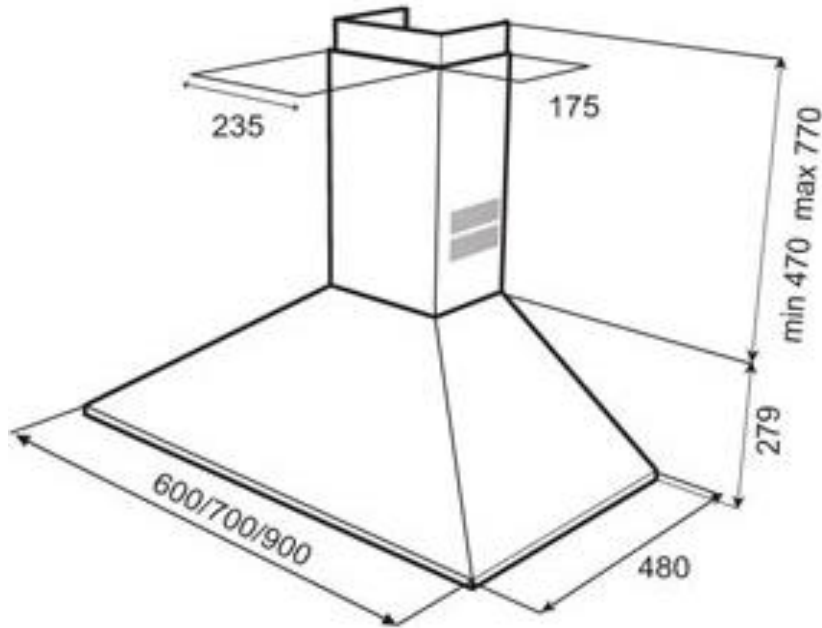


## SPECIFICATION SHEET - appliances

<b>BRAND:</b>		<b>Product Photo:</b>  
<b>ORIGIN:</b>	Spain	
<b>SERIES:</b>	<b>Wall hoods</b>	
<b>PRODUCT DESCRIPTION:</b>	<b>Decorative wall hood DBB.60, with:</b> Push buttons control panel Incandescent lamps & metallic filters Double turbine motor 3 speeds with cap 270 ~440 m <sup>3</sup> /h Free outlet : 475 m <sup>3</sup> /h Recommended for kitchens up to 29 m <sup>2</sup>	
<b>MODEL No.</b>	4046.0470	
<b>FINISH/COLOUR:</b>	INOX STEEL	
<b>DIMENSIONS:</b>	600 x 480 mm	
<b>OPTIONAL MATCHING PARTS:</b>	Charcoal filter 6180.1262, Recirculation kit 4049.0116	

**Technical Informations:**

Voltage: 220V / 50~60 Hz  
 Power: 310 W  
 Phase: single+grounding



<b>REMINDER:</b>	Do not use cleaners containing abrasive cleansers, ammonia, bleach, acids, waxes, alcohol, solvents or other products not recommended for chrome. All information is for reference only, installation shall always be based on the actual product delivered.
------------------	---